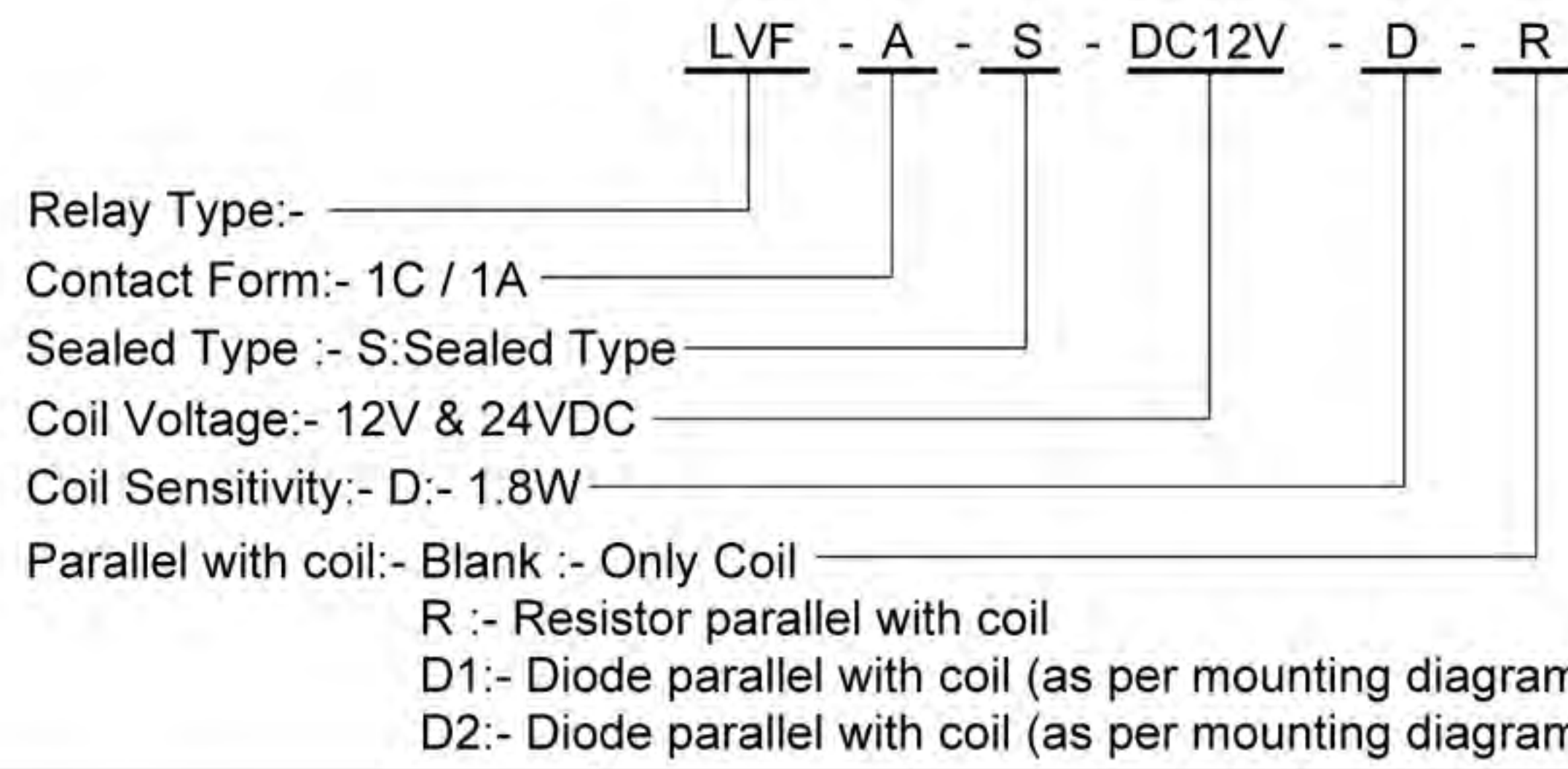


# Automotive Relay

LVF

leOne



Model		LVF					
Features	Dimension L * W * H (mm)	23 x 15.5 x 25.4					
	Terminal Type	Plug In Type					
	Weight	18gm Aprox.					
Contact Data	Contact Form	1C / 1A					
	Contact Material	Ag Alloy					
	Contact Capacity	1C:- NO: 30A/14VDC, NC: 20A/14VDC, 1A:- 30A/14VDC					
	Contact resistance	≤ 100mΩ					
Coil Data	Coil Voltage ( DC)	12VDC, 24VDC					
	Coil Power Consumption	1.8W					
	Coil Specification	Coil Voltage	Total Resistance	Internal Coil Resistance	Parallel Resistor Resistance	Pull in Voltage (VDC)	Drop Out Voltage(VDC)
		12 VDC	80Ω	96Ω	680Ω	80 %	5%
	24 VDC	320Ω	380Ω	2700Ω	80 %	5%	
General Data	Dielectric Strength	1000VAC @ 50 Hz / Min ( Between Contacts)					
		1550VAC @ 50 Hz / Min ( Between Coil & Contacts)					
	Insulation Resistance	100 MΩ min. (500VDC)					
	Electrical Life	100,000					
	Mechanical Life	10,000,000					
	Operate / Release Time	10mS / 10mS					
	Operating Temperature	-40~+85 °C					
Mounting Diagram							
Application	Automotive applications.						